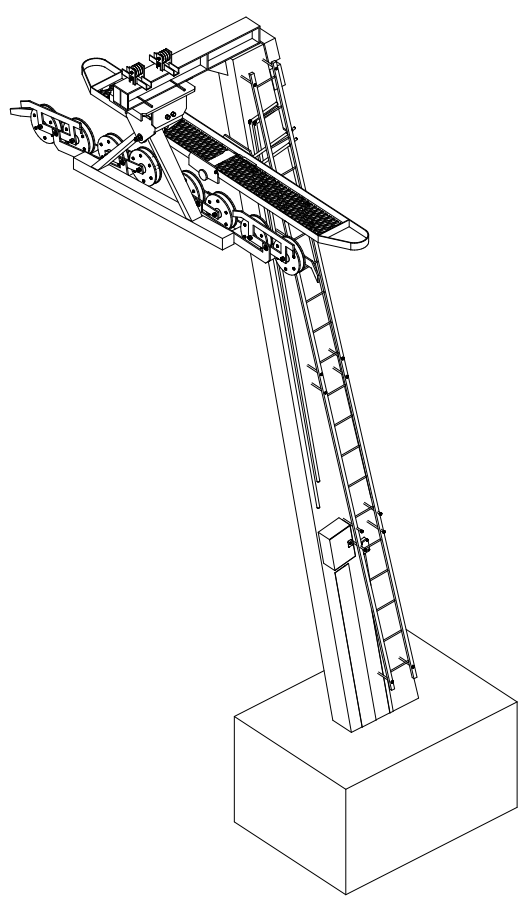


ADVANCED STUDIO BUILT HERITAGE & UPCYCLING

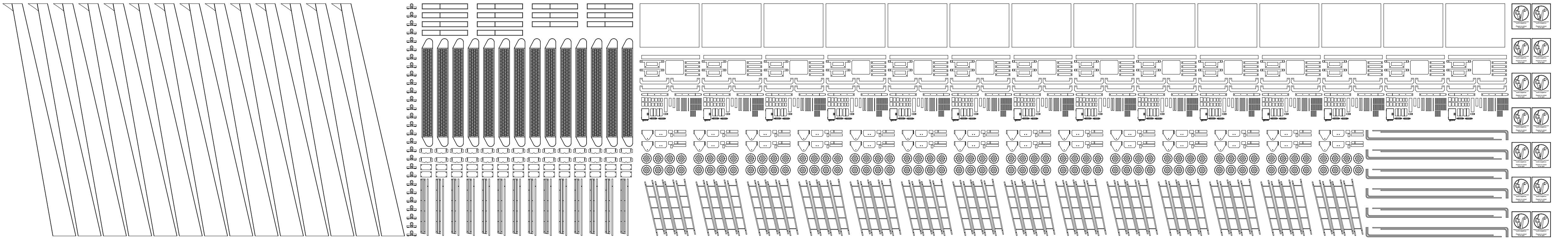
INVENTORY

COMPONENTS

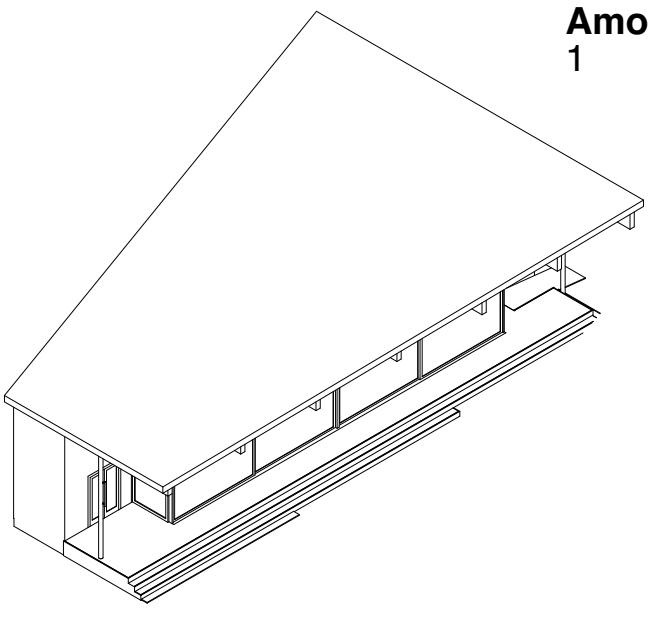
06



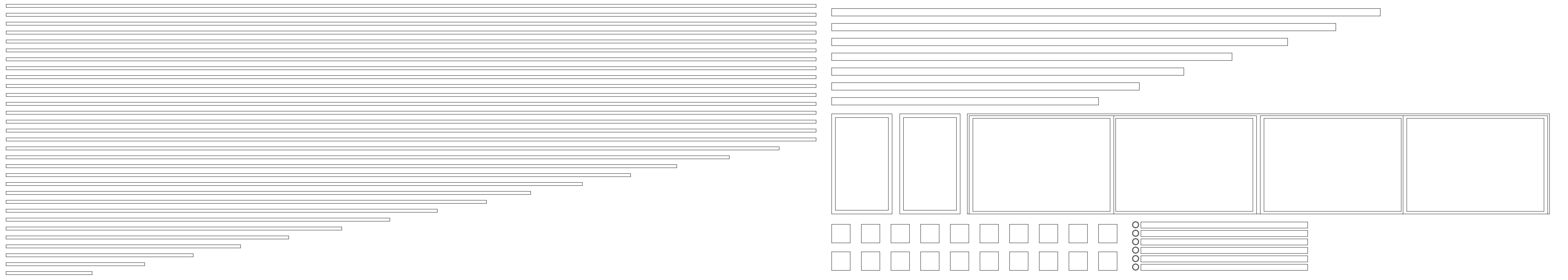
Ski lift
Göllerkopf
Material
hollow steel column
Amount
14



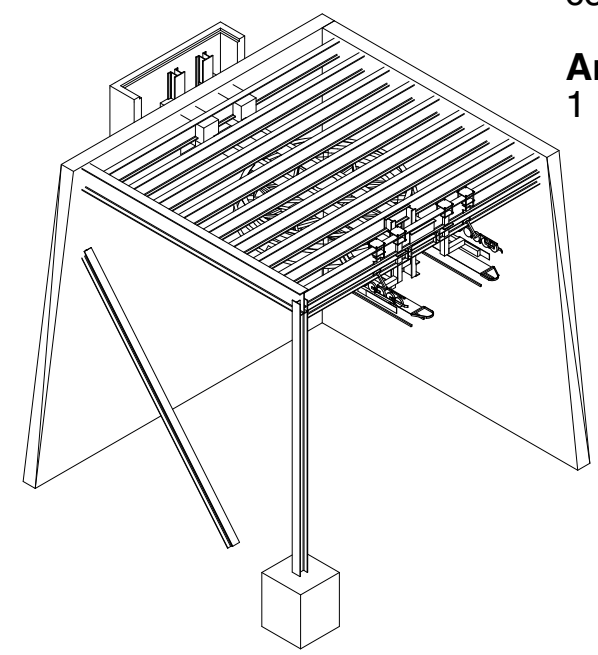
07



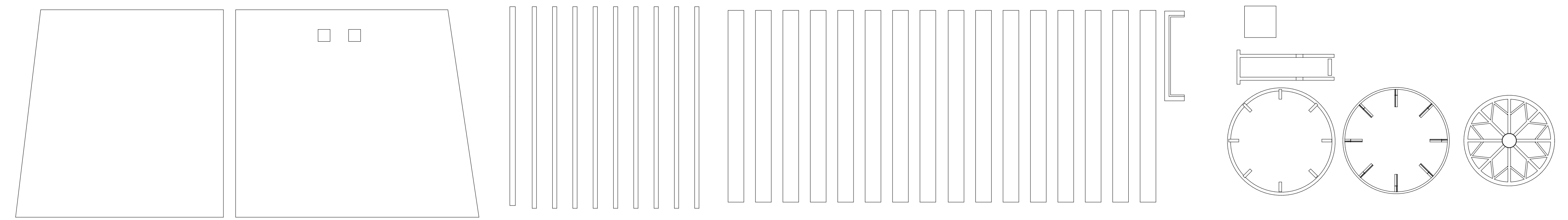
Visitor Center
Vaduz
Material
timber & steel
Amount
1



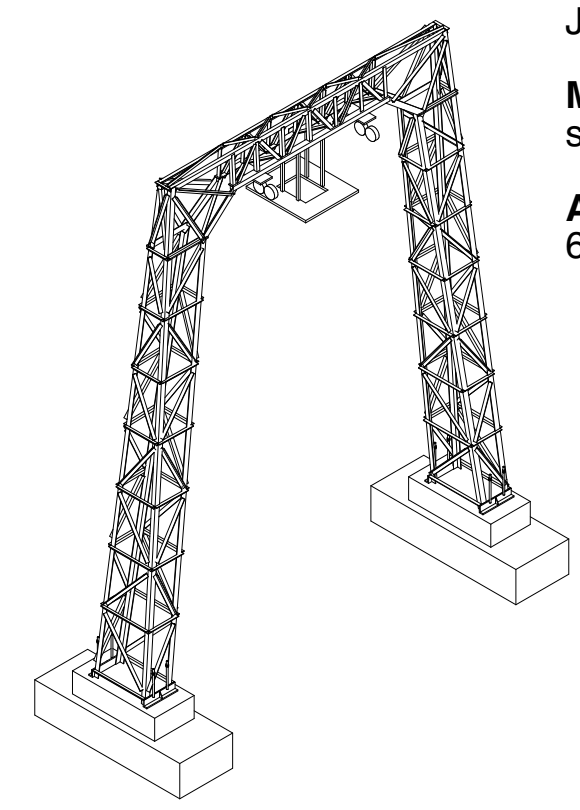
08



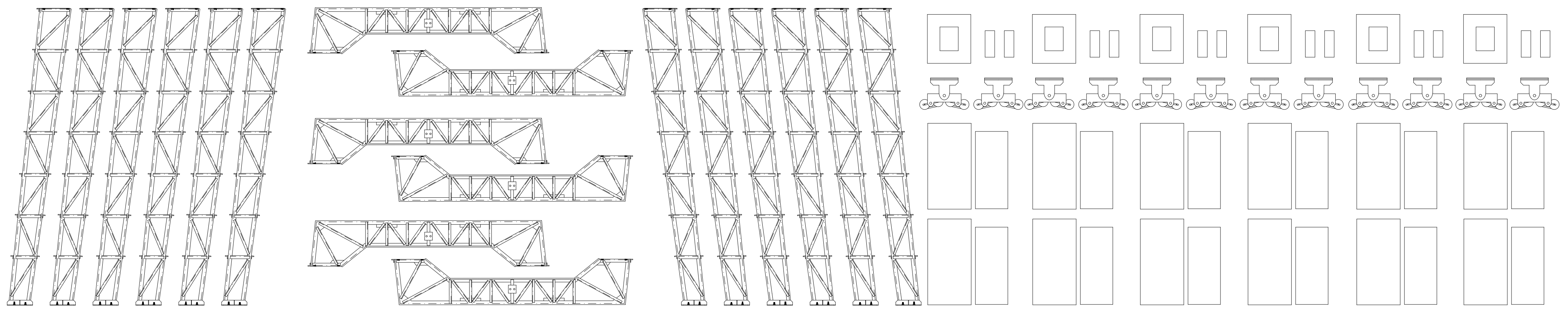
Station
Schwägalp
Material
concrete & steel
Amount
1



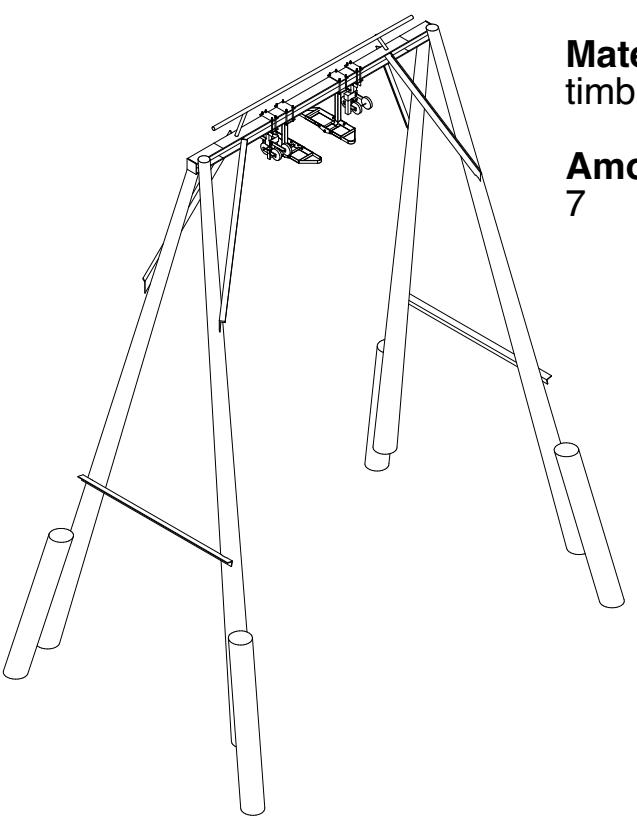
09



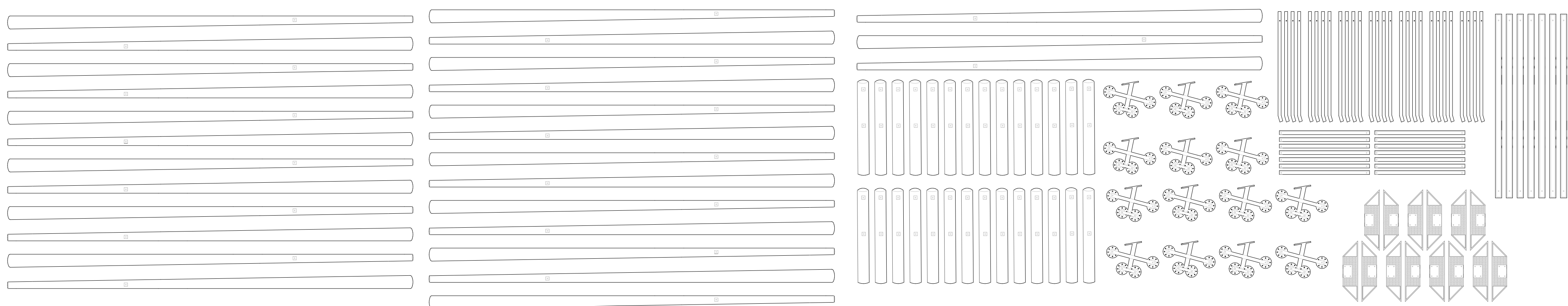
Ski lift
Jakosbad
Material
steel truss
Amount
6



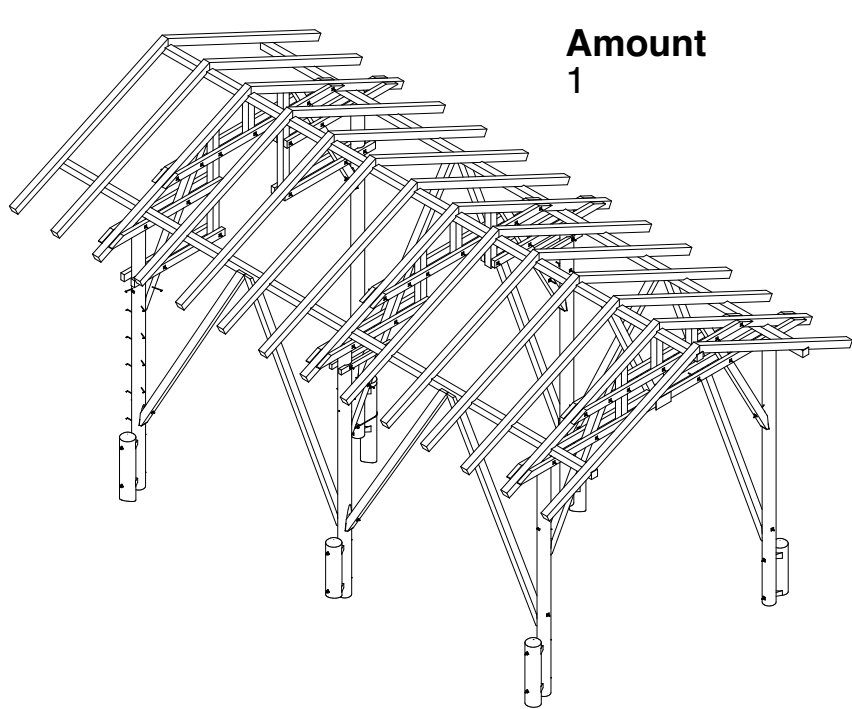
10



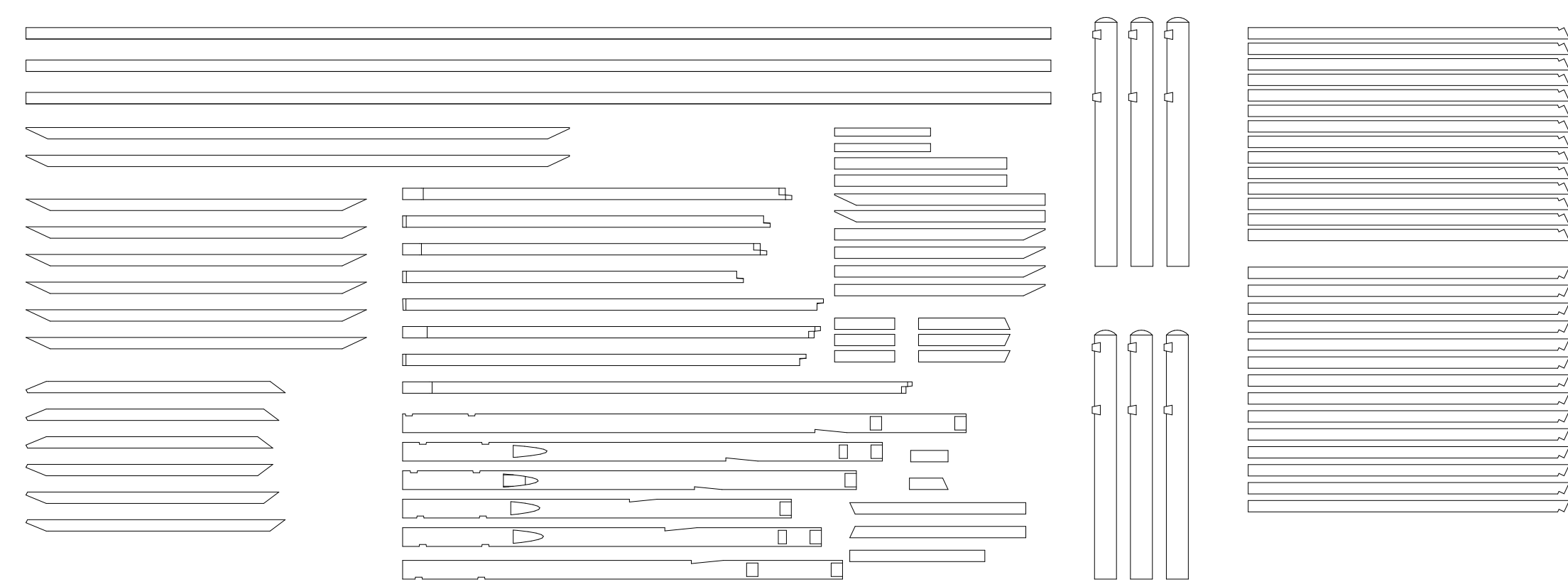
Ski lift
Bazora
Material
timber & concrete
Amount
7



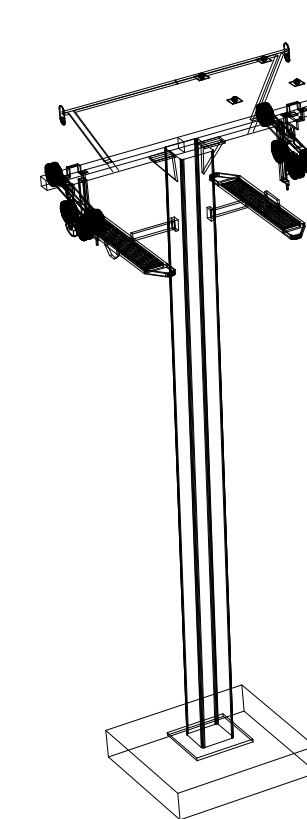
11



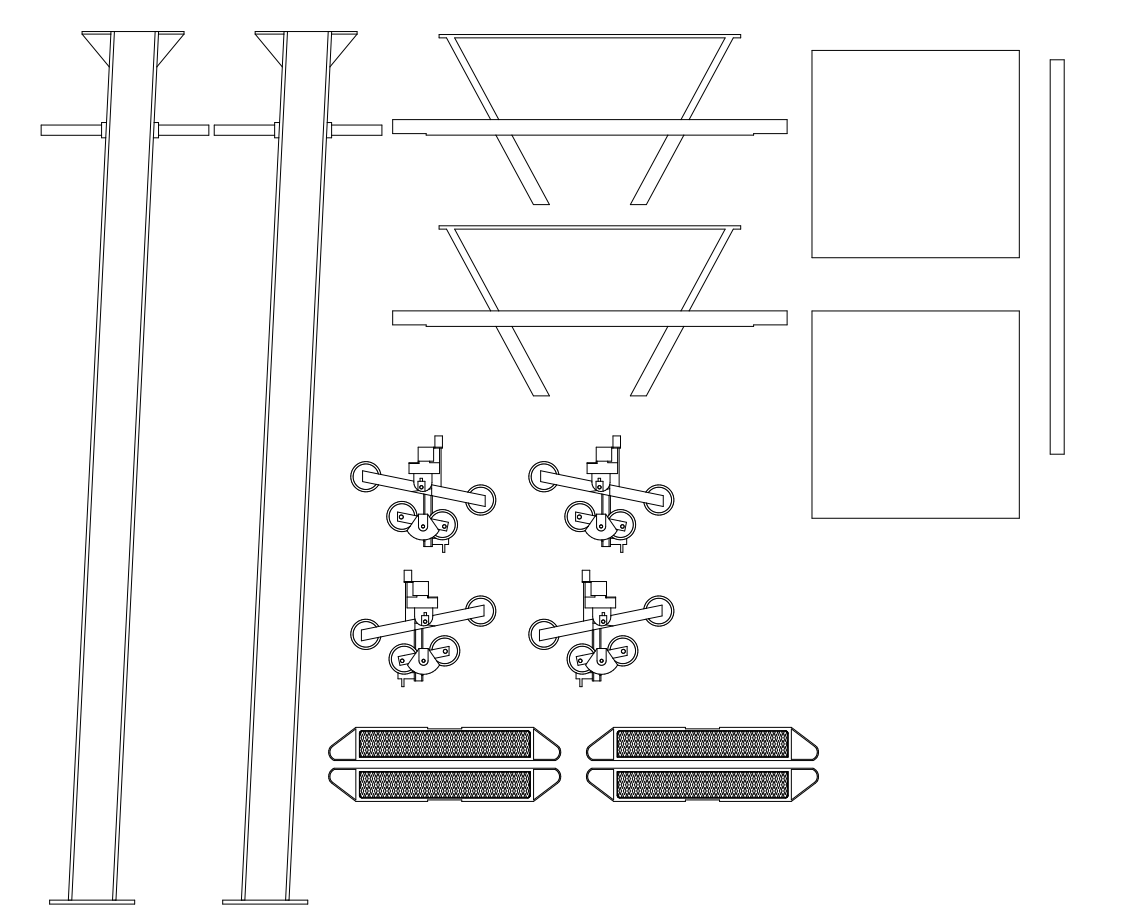
Station
Bazora
Material
timber
Amount
1



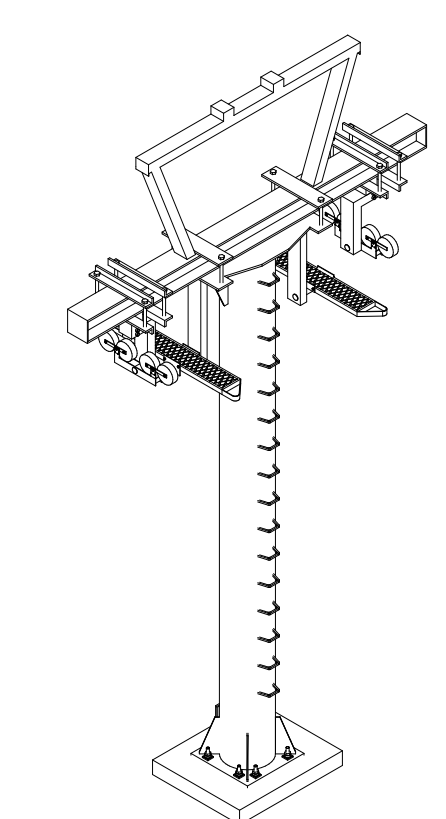
13



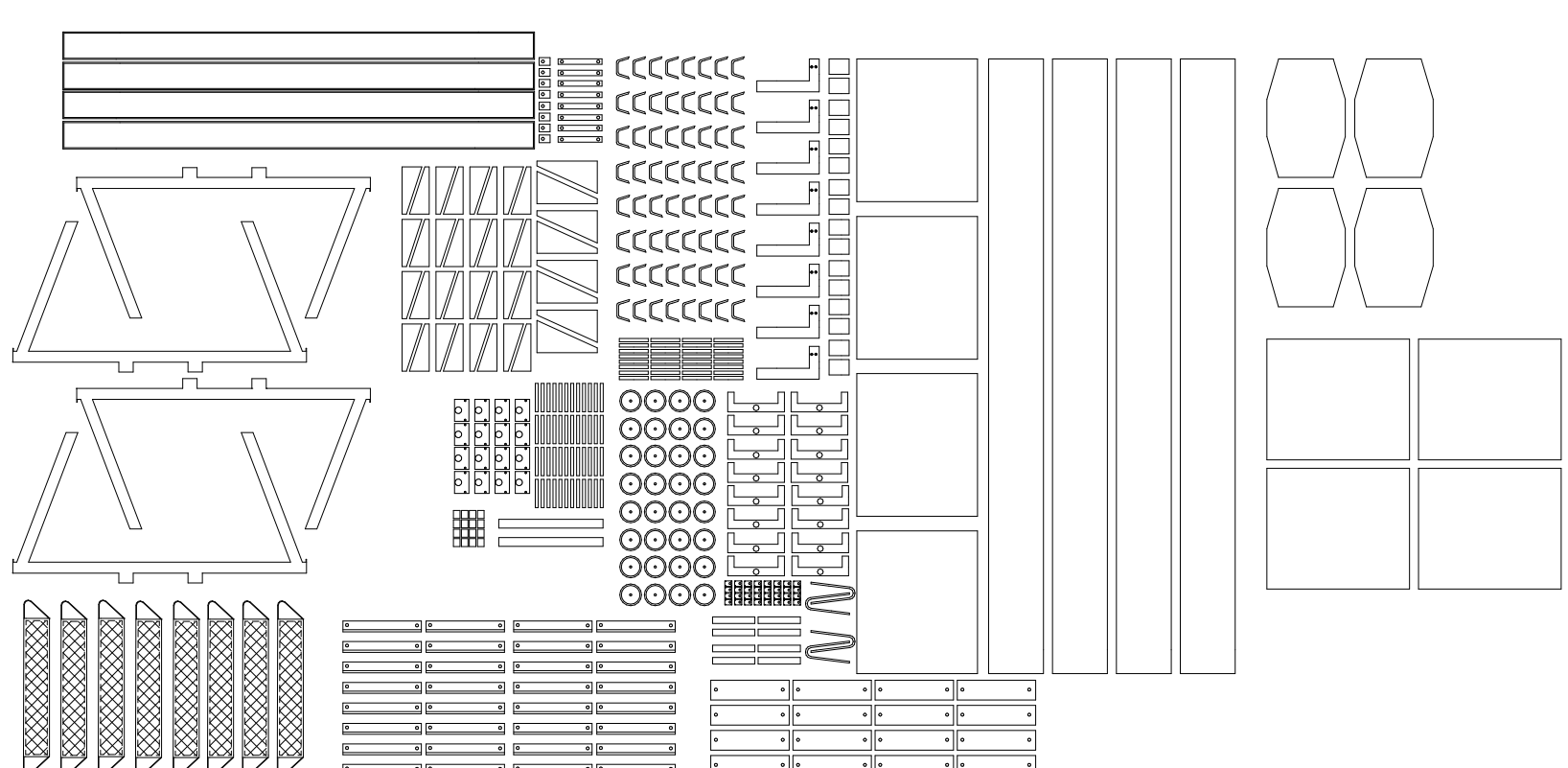
Ski lift
Schwägalp
Material
steel
Amount
2



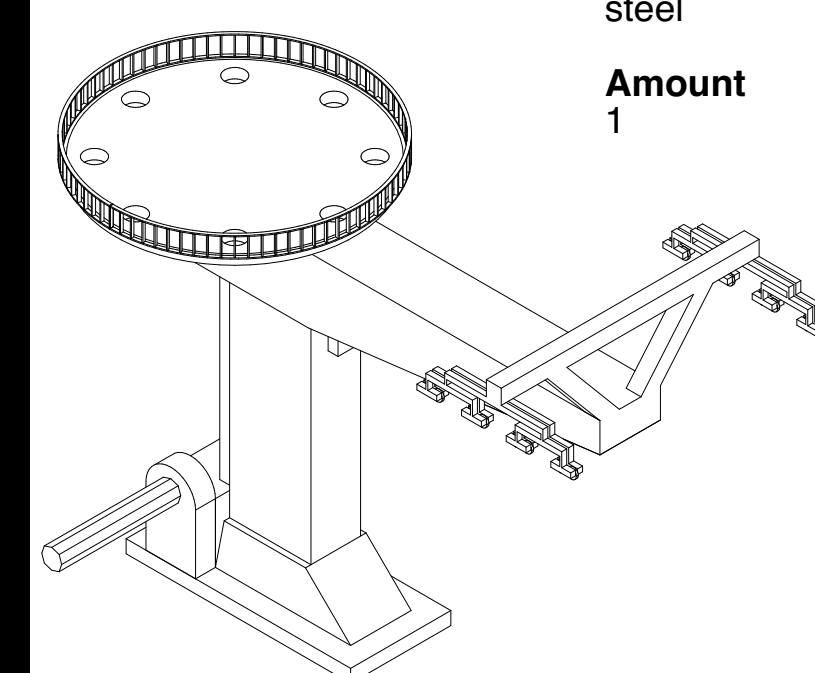
12



Ski lift
Bömmeli
Material
hollow steel column
Amount
4



14



Station
Bazora
Material
steel
Amount
1

